

2MP H.265 Lens Dome IP Camera



Order info

ZN-NC-IDVC2200-I3ZPF

Brief Introduction

ZN-NC-IDVC2200 adopts 1/3" progressive scan CMOS sensor, the maximum resolution is 1920*1080, transmission based on IP network through advanced H.264/H.265 video compression algorithm with optimized network efficiency and it has high image quality in limited bandwidth transmissions. This product is equipped with high-efficiency infrared lamps and Built-in IR illuminator and ICR (Infrared Cut Filter Removal) for day & night Images. Support full function interface, including alarm input/output, audio input/output, TF card and etc. The outer casing of this product is made of all-metal material, anti-riot shell, protection grade is IP66 and can be used indoors and outdoors.

Features

- 1/3-in 1080P progressive scan CMOS
- Adopt advanced H.264/H.265 video coding algorithm with high compression ratio and low bandwidth and high image quality
- Maximum resolution is 1920*1080@30fps, support third-stream transmission
- Built-in 2D/3D DNR and DWDR, and defoggy
- Support smart functions
- Support corridor mode, interested area (ROI)
- Support digital watermark encryption to prevent data from being tampered with

- Support IR_CUT (IR_CUT filter with auto switch) for real day and night monitoring
- IR range: 30 meters
- Support mobile phone direct connection monitoring, private network penetration
- ONVIF Profile S support for standardization and interoperability
- Support motion detection, network abnormal, mask alarm and some smart alarm
- Support audio/alarm/RS485/BNC and etc full function interface
- Support POE power supply, reset button, and local TF Card storage (up to 128G)
- Standard fast mounted chassis for easy construction and installation
- Protection grade is IP66+IK8

Specification Table

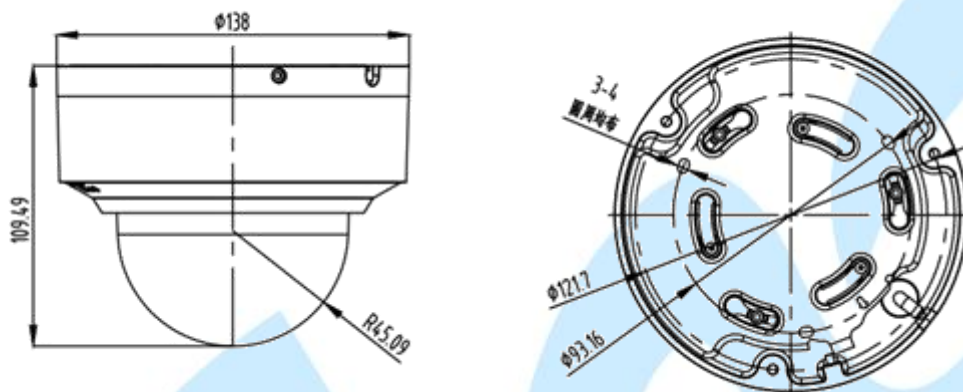
2MP H.265 Lens Dome IP Camera		
Model	ZN-NC-IDVC2200-I3ZPF	
Camera	Sensor	1/3-in 1080P progressive scan CMOS
	Minimum Illumination	Color: 0.2 lux, at F1.2 (Gain High, 50 IRE, 1/30 sec) B/W: 0.05 lux, at F1.2 (Gain High, 50 IRE, 1/30 sec) Note: 0 lux if IR illuminator is on
	Lens	f=3.6mm, F1.6, Diagonal 99°, Horizontal 70°, Vertical 39° f=4.2mm, F1.6, Diagonal 82°, Horizontal 62°, Vertical 34° f=6.0mm, F1.8, Diagonal 62°, Horizontal 43°, Vertical 24° f=8.0mm, F1.6, Diagonal 42°, Horizontal 33°, Vertical 17°
	Synchronization	Internal
	IR Range	IR LED illuminators, 5-meter (max.) effective distance; On/Off controlled manually (night mode) or by the light sensor
	Electronic Shutter	Auto, Fixed (1/30 to 1/25000 sec)
	Day / Night	Auto/Color/BW; ICR control
	S/N Ratio	Maximum 50 dB (AGC off; DNR on)
	DNR	Built-in 2D/3D DNR
	Anti-Fog	Support (ON/OFF)
	White Balance	ATW/AWB
	WDR (wide dynamic range)	100 dB
	AGC (auto gain control)	2X, 4X, 8X, 16X
	Flickless Control	Automatic, 50 Hz, 60 Hz modes

	Image Rotation	Flip, Mirror, 90°, 180°, 270° rotation
	Image Setting	Manual tuning with saturation, sharpness, and contrast
	Image Adjustment	JPEG snapshots for pre/trigger/post alarm images
	Camera Angle	Pan 350°, Tilt 65° (controlled manually)
Encode	Compression	H.264 (ISO/IEC 14496-10) or MJPEG
	Max. Resolution	Main Stream : 1920×1080@30fps
		Sub Stream: 704×576@25fps
		Third Stream:1280×720@25fps
	Bit Rate Control	Support VBR / CBR
	Bitrate Rate	32Kbps~8Mbps
	Audio Compression	Mono, PCM (G.711) AAC
	Audio Bitrate Rate	G.711A(64Kbps)/G.711Mu(64Kbpsf)/G.726(16Kbps)
	Noise Reduction	Support
	Echo Reduction	Support
Audio Function	Auto-Gain, Audio input/output Volume	
Interface	Audio	1 x built-in microphone
	Alarm	1 Alarm in/1 Alarm out
	On-board Storage	Built-in Micro SD/SDHC/SDXC Slot, up to 128GB
	Reset	Built-in Reset button
	CVBS Out	1
	Connector	5-pin A-coded male M12 connector with 20 cm cable
Function	Motion Detection	3 independently configurable areas
	Corridor Mode	Support
	ROI	Support
	Privacy Masking	3 Zones for Privacy Masking
	Snapshot	Support JPEG, Resolution is the max encoding resolution
	Security Features	Support Password, Watermarking
	Text Overlay	Support (Channel Title, Time Title)
	Alarm	Support Network Anomaly, Mask Alarm and etc.
	Intelligent Function	Support
	Intelligent	Camera tampering detection
	Video Motion Detection	3 independently configurable areas
	Shock Detection	Built-in G sensor
	Scheduling	Daily repeat timing schedule
Imaging	JPEG snapshots for pre/trigger/post alarm images	

	Custom Alarms	HTTP event servers for setting customized alarm actions
	Email/FTP Messaging	Automatic transfer of stored images via email or FTP as event-triggered actions
	Pre-Alarm Buffer	50 MB video buffer for JPEG snapshot images
	Mobile Phone App	Support IOS and Android
	Network Protocol	TCP/IP, IPv4/IPv6, UDP, HTTP, RTP/RTSP, ARP, UPnP, FTP, TFTP, SMTP, NTP Client, DNS, DDNS, QoS, IGMP v3, ICMP, SNMPv1/v2c/v3, DHCP Opt66/67, HTTPS
	Protocol	ONVIF/CGI
General Parameter	Protection Grade	IEC 60529, IP66 EN 50155 (complies with a portion of EN 50155 specifications) EN 45545-2 IEC 60068-2-27, IEC 61373, EN 50155 IEC 60068-2-64, IEC 61373, EN 50155, UIC 505-1
	Power Supply	DC12V (±25%) / POE
	Power Consumption	10W Max
	Dimensions	Φ138mm×109.5mm
	Weight	700g
Video	Viewing	<p>ParkStream support for changing the video frame rate automatically</p> <p>ParkPro for good image quality in limited bandwidth transmissions</p> <p>3 privacy mask areas provided</p> <p>Adjustable image size and quality</p> <p>Timestamp and text overlay</p> <p>OSD (On Screen Display) position adjustable</p> <p>Maximum of 5 simultaneous unicast connections, 50 multicast clients</p>

Physical	Housing	IP66 rain and dust protection Metal housing, PC dome cover EN 62262, IK8 vandal resistant protection
	Installation	Panel mounting
	Operating Temperature	Wide Temp. Models: -40 to 70°C (-40 to 158°F)
	Storage Temperature	-40 to 85°C (-40 to 185°F)
	Ambient Relative Humidity	5 to 95% (non-condensing)
	Ingress Protection	IEC 60529, IP66

Dimensions



Recommended Accessories

